



*ACO Product catalogue 2008*

**Wall seals**

**Roof penetrations**



## Wall seals

In case of many constructions there is necessary to ensure waterproof and gas-proof wall seals for piping through walls. In order to provide reliable and permanent solution of this issue the company ACO offers APLEX wall seals.

The bushing consists of a corrosion-proof sealing ring for a wide range of outer profiles of perforating piping (15 mm through 275 mm). The sealing elements of the ring made of special rubber are located in the sliding segments made of yellow chromated steel.

Under common conditions the APLEX-mono execution is used while for applications with pressure water activity APLEX-duo wall seals is appropriate.

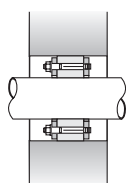
Sealing rings are to be put in the circular opening in a wall which can be made by various means. The easiest way how to make an opening for wall seals is putting the plastic tube of the required outer profile through the wall and its removal after concrete works are finished. Other possibility is also the additional drilling of a hole through the finished wall.

Thus the designing is much easier and determination of the exact location and dimension can be performed even prior the technology assembly.

Wall seals are sophisticated and safe solution of waterproof wall seals with the advantage of easy and quick implementation.

### Location of installation:

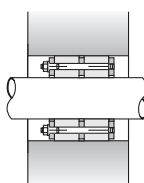
#### Against non-pressure water



mono

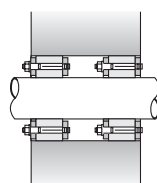
#### Against pressure water

Single-sided sealing



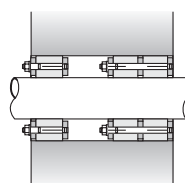
duo

Double-sided sealing



mono/mono

Double-sided sealing



mono/duo



- Massive zinc flange
- Nuts and washers from stainless steel
- Screws with strength of 8.8 screwed and welded to the flange
- Wide sealing, material EPDM with temperature resistance up to 130°C
- Marking of each product by the hole diameter and the tube diameter range



- Split variant for complement assembly
- Marking of each product by the hole diameter and the tube diameter range

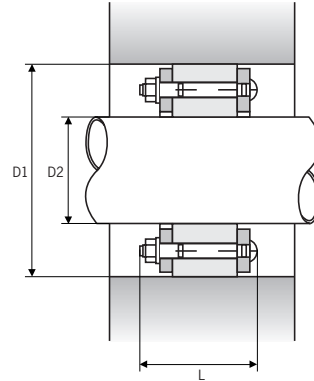
## Wall seals APLEX mono

### Wall seals with single sealing

Against non-pressure water

#### Assembly recommendations:

Due to the possibility of micro-cracks occurrence on the surface of additionally drilled opening, the concrete surface should be treated along the whole length of the opening by protective sealing substance prior installation of the sealing ring.



| <i>type</i>               | <i>Drill Dimension (D1 mm)</i> | <i>Outside of the pipe (D2 mm)</i> | <i>Lenght (L mm)</i> | <i>Weight (kg)</i> | <i>Part Nr.</i> |
|---------------------------|--------------------------------|------------------------------------|----------------------|--------------------|-----------------|
| Wall seals                | 50                             | 15 to 18                           | 53                   | 0,10               | 70704           |
| with single sealing       | 50                             | 19 to 22                           | 53                   | 0,17               | 70705           |
| Sliding segments          | 80                             | 25 to 28                           | 53                   | 0,55               | 70706           |
| of yellow chromated steel | 80                             | 32 to 35                           | 53                   | 0,54               | 70707           |
|                           | 80                             | 36 to 40                           | 53                   | 0,53               | 70708           |
|                           | 100                            | 41 to 44                           | 53                   | 0,72               | 70709           |
|                           | 100                            | 47 to 51                           | 53                   | 0,71               | 70710           |
|                           | 100                            | 52 to 56                           | 53                   | 0,69               | 70711           |
|                           | 125                            | 57 to 61                           | 53                   | 1,33               | 70712           |
|                           | 125                            | 62 to 65                           | 53                   | 1,30               | 70713           |
|                           | 125                            | 73 to 76                           | 53                   | 1,27               | 70714           |
|                           | 150                            | 78 to 81                           | 53                   | 1,70               | 70715           |
|                           | 150                            | 88 to 91                           | 53                   | 1,65               | 70716           |
|                           | 150                            | 98 to 102                          | 53                   | 1,60               | 70717           |
|                           | 200                            | 108 to 112                         | 53                   | 2,78               | 70718           |
|                           | 200                            | 114 to 118                         | 53                   | 2,72               | 70719           |
|                           | 200                            | 123 to 126                         | 53                   | 2,67               | 70720           |
|                           | 200                            | 128 to 132                         | 53                   | 2,62               | 70721           |
|                           | 200                            | 133 to 136                         | 53                   | 2,59               | 70722           |
|                           | 200                            | 137 to 141                         | 53                   | 2,56               | 70723           |
|                           | 250                            | 142 to 146                         | 53                   | 4,46               | 70724           |
|                           | 250                            | 158 to 162                         | 53                   | 4,35               | 70725           |
|                           | 250                            | 165 to 170                         | 53                   | 4,23               | 70726           |
|                           | 250                            | 177 to 181                         | 53                   | 4,11               | 72692           |
|                           | 300                            | 200 to 204                         | 53                   | 5,59               | 70727           |
|                           | 300                            | 209 to 212                         | 53                   | 5,49               | 70728           |
|                           | 300                            | 218 to 221                         | 53                   | 5,40               | 70729           |
|                           | 300                            | 222 to 225                         | 53                   | 5,31               | 70730           |
|                           | 350                            | 248 to 252                         | 53                   | 7,00               | 72956           |
|                           | 350                            | 272 to 275                         | 53                   | 6,90               | 72957           |

**Other dimensions and material available on request.**

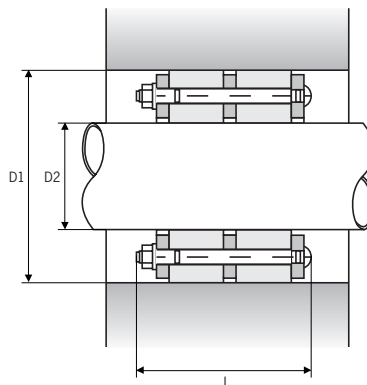
## Wall seals APLEX duo

### Wall seals with double sealing

Against pressure water

#### Assembly recommendations:

Due to the possibility of micro-cracks occurrence on the surface of additionally drilled opening, the concrete surface should be treated along the whole length of the opening by protective sealing substance prior installation of the sealing ring.



| type                      | Drill Dimension (D1 mm) | Outside of the pipe (D2 mm) | Lenght (L mm) | Weight (kg) | Part Nr. |
|---------------------------|-------------------------|-----------------------------|---------------|-------------|----------|
| Wall seals                | 50                      | 15 to 18                    | 78            | 0,22        | 70731    |
| with double sealing       | 50                      | 19 to 22                    | 78            | 0,22        | 70732    |
| Sliding segments          | 80                      | 25 to 28                    | 78            | 0,70        | 70733    |
| of yellow chromated steel | 80                      | 32 to 35                    | 78            | 0,68        | 70734    |
|                           | 80                      | 36 to 40                    | 78            | 0,66        | 70735    |
|                           | 100                     | 41 to 44                    | 78            | 0,94        | 70736    |
|                           | 100                     | 47 to 51                    | 78            | 0,92        | 70737    |
|                           | 100                     | 52 to 56                    | 78            | 0,88        | 70738    |
|                           | 125                     | 57 to 61                    | 78            | 1,66        | 70739    |
|                           | 125                     | 62 to 65                    | 78            | 1,60        | 70740    |
|                           | 125                     | 73 to 76                    | 78            | 1,54        | 70741    |
|                           | 150                     | 78 to 81                    | 78            | 2,16        | 70742    |
|                           | 150                     | 88 to 91                    | 78            | 2,04        | 70743    |
|                           | 150                     | 98 to 102                   | 78            | 1,92        | 70744    |
|                           | 200                     | 108 to 112                  | 78            | 3,56        | 70745    |
|                           | 200                     | 114 to 118                  | 78            | 3,44        | 70746    |
|                           | 200                     | 123 to 126                  | 78            | 3,34        | 70747    |
|                           | 200                     | 128 to 132                  | 78            | 3,24        | 70748    |
|                           | 200                     | 133 to 136                  | 78            | 3,18        | 70749    |
|                           | 200                     | 137 to 141                  | 78            | 3,12        | 70750    |
|                           | 250                     | 142 to 146                  | 78            | 5,64        | 70751    |
|                           | 250                     | 158 to 162                  | 78            | 5,42        | 70752    |
|                           | 250                     | 165 to 170                  | 78            | 5,18        | 70753    |
|                           | 250                     | 177 to 181                  | 78            | 5,1         | 72693    |
|                           | 300                     | 200 to 204                  | 78            | 6,98        | 70754    |
|                           | 300                     | 209 to 212                  | 78            | 6,78        | 70755    |
|                           | 300                     | 218 to 221                  | 78            | 6,60        | 70756    |
|                           | 300                     | 222 to 225                  | 78            | 6,42        | 70757    |
|                           | 350                     | 248 to 252                  | 78            | 8,4         | 72958    |
|                           | 350                     | 272 to 275                  | 78            | 8,3         | 72959    |

Other dimensions and material available on request.

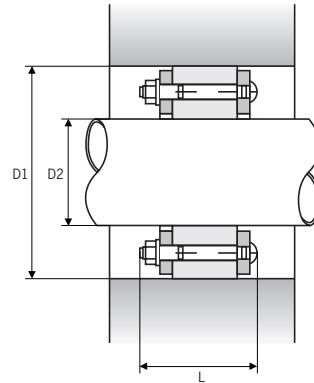
## Wall seals APLEX mono - split variant

### Wall seals with single sealing

Against non-pressure water

#### Assembly recommendations:

Due to the possibility of micro-cracks occurrence on the surface of additionally drilled opening, the concrete surface should be treated along the whole length of the opening by protective sealing substance prior installation of the sealing ring.



| <i>type</i>               | <i>Drill Dimension (D1 mm)</i> | <i>Outside of the pipe (D2 mm)</i> | <i>Lenght (L mm)</i> | <i>Weight (kg)</i> | <i>Part Nr.</i> |
|---------------------------|--------------------------------|------------------------------------|----------------------|--------------------|-----------------|
| Wall seals                | 80                             | 25 to 28                           | 53                   | 0,55               | 401126          |
| with single sealing       | 80                             | 32 to 35                           | 53                   | 0,54               | 401127          |
| Sliding segments          | 80                             | 36 to 40                           | 53                   | 0,53               | 401128          |
| of yellow chromated steel | 100                            | 41 to 44                           | 53                   | 0,72               | 401129          |
|                           | 100                            | 47 to 51                           | 53                   | 0,71               | 401130          |
|                           | 100                            | 52 to 56                           | 53                   | 0,69               | 401131          |
|                           | 125                            | 57 to 61                           | 53                   | 1,33               | 401132          |
|                           | 125                            | 62 to 65                           | 53                   | 1,3                | 401133          |
|                           | 125                            | 73 to 76                           | 53                   | 1,27               | 401134          |
|                           | 150                            | 78 to 81                           | 53                   | 1,7                | 401135          |
|                           | 150                            | 88 to 91                           | 53                   | 1,65               | 401136          |
|                           | 150                            | 98 to 102                          | 53                   | 1,6                | 401137          |
|                           | 200                            | 108 to 112                         | 53                   | 2,78               | 401138          |
|                           | 200                            | 114 to 118                         | 53                   | 2,72               | 401139          |
|                           | 200                            | 123 to 126                         | 53                   | 2,67               | 401140          |
|                           | 200                            | 128 to 132                         | 53                   | 2,62               | 401141          |
|                           | 200                            | 133 to 136                         | 53                   | 2,59               | 401142          |
|                           | 200                            | 137 to 141                         | 53                   | 2,56               | 401143          |
|                           | 250                            | 142 to 146                         | 53                   | 4,46               | 401144          |
|                           | 250                            | 158 to 162                         | 53                   | 4,35               | 401145          |
|                           | 250                            | 165 to 170                         | 53                   | 4,23               | 401146          |
|                           | 250                            | 177 to 181                         | 53                   | 4,11               | 401321          |
|                           | 300                            | 200 to 204                         | 53                   | 5,59               | 401147          |
|                           | 300                            | 209 to 212                         | 53                   | 5,49               | 401148          |
|                           | 300                            | 218 to 221                         | 53                   | 5,4                | 401149          |
|                           | 300                            | 222 to 225                         | 53                   | 5,31               | 401150          |
|                           | 350                            | 248 to 252                         | 53                   | 7                  | 401151          |
|                           | 350                            | 272 to 275                         | 53                   | 6,9                | 401152          |

**Other dimensions and material available on request.**

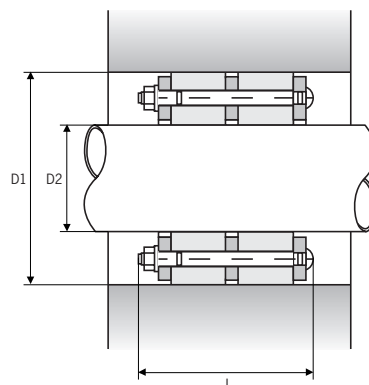
## Wall seals APLEX duo - split variant

### Wall seals with double sealing

Against pressure water

#### Assembly recommendations:

Due to the possibility of micro-cracks occurrence on the surface of additionally drilled opening, the concrete surface should be treated along the whole length of the opening by protective sealing substance prior installation of the sealing ring.



| type                      | Drill Dimension (D1 mm) | Outside of the pipe (D2 mm) | Lenght (L mm) | Weight (kg) | Part Nr. |
|---------------------------|-------------------------|-----------------------------|---------------|-------------|----------|
| Wall seals                | 80                      | 25 to 28                    | 78            | 0,7         | 401153   |
| with double sealing       | 80                      | 32 to 35                    | 78            | 0,68        | 401154   |
| Sliding segments          | 80                      | 36 to 40                    | 78            | 0,66        | 401155   |
| of yellow chromated steel | 100                     | 41 to 44                    | 78            | 0,94        | 401156   |
|                           | 100                     | 47 to 51                    | 78            | 0,92        | 401157   |
|                           | 100                     | 52 to 56                    | 78            | 0,88        | 401158   |
|                           | 125                     | 57 to 61                    | 78            | 1,66        | 401159   |
|                           | 125                     | 62 to 65                    | 78            | 1,6         | 401160   |
|                           | 125                     | 73 to 76                    | 78            | 1,54        | 401161   |
|                           | 150                     | 78 to 81                    | 78            | 2,16        | 401162   |
|                           | 150                     | 88 to 91                    | 78            | 2,04        | 401163   |
|                           | 150                     | 98 to 102                   | 78            | 1,92        | 401164   |
|                           | 200                     | 108 to 112                  | 78            | 3,56        | 401165   |
|                           | 200                     | 114 to 118                  | 78            | 3,44        | 401166   |
|                           | 200                     | 123 to 126                  | 78            | 3,34        | 401167   |
|                           | 200                     | 128 to 132                  | 78            | 3,24        | 401168   |
|                           | 200                     | 133 to 136                  | 78            | 3,18        | 401169   |
|                           | 200                     | 137 to 141                  | 78            | 3,12        | 401170   |
|                           | 250                     | 142 to 146                  | 78            | 5,64        | 401171   |
|                           | 250                     | 158 to 162                  | 78            | 5,42        | 401172   |
|                           | 250                     | 165 to 170                  | 78            | 5,18        | 401173   |
|                           | 250                     | 177 to 181                  | 78            | 5,1         | 401322   |
|                           | 300                     | 200 to 204                  | 78            | 6,98        | 401174   |
|                           | 300                     | 209 to 212                  | 78            | 6,78        | 401175   |
|                           | 300                     | 218 to 221                  | 78            | 6,6         | 401176   |
|                           | 300                     | 222 to 225                  | 78            | 6,42        | 401177   |
|                           | 350                     | 248 to 252                  | 78            | 8,4         | 401178   |
|                           | 350                     | 272 to 275                  | 78            | 8,3         | 401179   |

Other dimensions and material available on request.

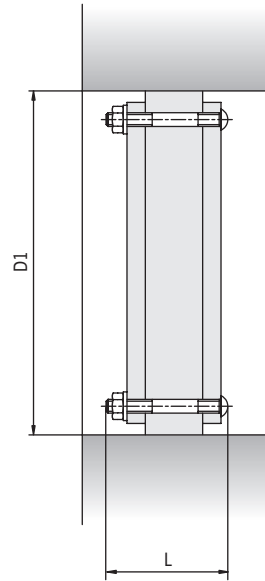
## Wall seals APLEX mono - dead end variant

Wall seals with single sealing

Against non-pressure water

| <i>type</i> | <i>Drill<br/>Dimension<br/>(D1 mm)</i> | <i>Lenght<br/>(L mm)</i> | <i>Weight<br/>(kg)</i> | <i>Part Nr.</i> |
|-------------|--|--------------------------|------------------------|-----------------|
| Wall seals  | 50                                     | 53                       | 0,5                    | 401311          |
|             | 80                                     | 53                       | 0,8                    | 401312          |
|             | 100                                    | 53                       | 1,0                    | 401313          |
|             | 125                                    | 53                       | 1,8                    | 401314          |
|             | 150                                    | 53                       | 2,55                   | 401315          |
|             | 200                                    | 53                       | 4,0                    | 401316          |
|             | 250                                    | 53                       | 6,2                    | 401317          |
|             | 300                                    | 53                       | 8,5                    | 401318          |
|             | 350                                    | 53                       | 11,6                   | 401319          |

**Other dimensions and material available on request.**

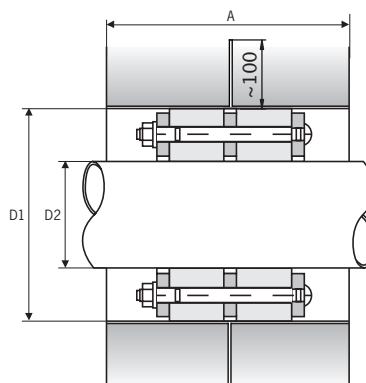
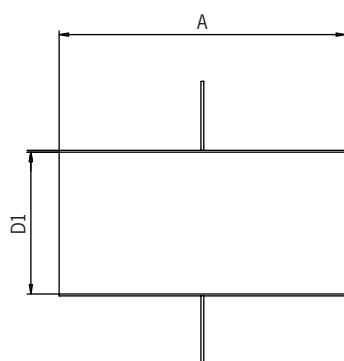


## Wall seals APLEX - liner

**NEW**

### Wall seals liner

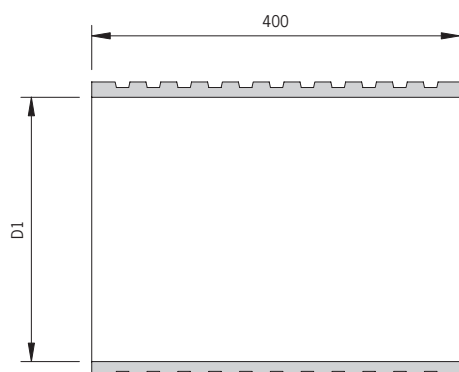
Material: Stainless steel AISI 304



| type             | A<br>(mm) | D1<br>(mm) | Weight<br>(kg) | Part Nr. |
|------------------|-----------|------------|----------------|----------|
| Wall seals liner | 300       | 50         | 2              | 98411    |
|                  | 300       | 80         | 2,7            | 98412    |
|                  | 300       | 100        | 3,1            | 98413    |
|                  | 300       | 125        | 3,7            | 98414    |
|                  | 300       | 150        | 4,3            | 98415    |
|                  | 300       | 200        | 5,4            | 98416    |
|                  | 300       | 250        | 6,5            | 98417    |
|                  | 300       | 300        | 7,7            | 98418    |
|                  | 300       | 350        | 8,8            | 98431    |
|                  | 400       | 50         | 2,3            | 98419    |
|                  | 400       | 80         | 3,1            | 98420    |
|                  | 400       | 100        | 3,6            | 98421    |
|                  | 400       | 125        | 4,3            | 98422    |
|                  | 400       | 150        | 5,1            | 98423    |
|                  | 400       | 200        | 6,4            | 98424    |
|                  | 400       | 250        | 7,8            | 98425    |
|                  | 400       | 300        | 9,2            | 98426    |
|                  | 400       | 350        | 10,5           | 98432    |

## ACO APLEX wall penetration, l = 400 mm

Material: Polymer concrete



| type       | D1<br>(mm) | Weight<br>(kg) | Part. Nr. |
|------------|------------|----------------|-----------|
| Wall seals | 100        | 4,50           | 70760     |
|            | 125        | 5,25           | 70762     |
|            | 200        | 12,50          | 70764     |
|            | 250        | 14,00          | 70766     |

Other dimensions and material available on request.

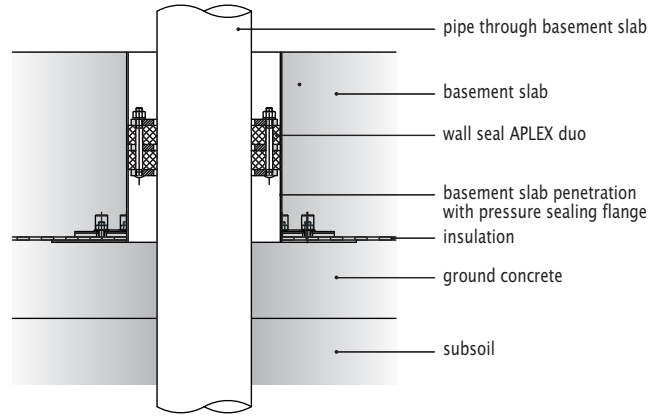
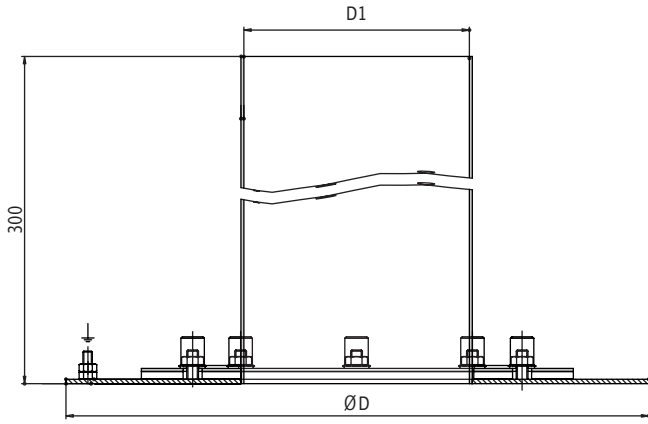


**ACO APLEX**

*Basement slab penetration with pressure sealing flange*

Material: Stainless steel AISI 304

**NEW**



| type | $D1$<br>(mm) | $D$<br>(mm) | Weight<br>(kg) | Part Nr. |
|------|--------------|-------------|----------------|----------|
|------|--------------|-------------|----------------|----------|

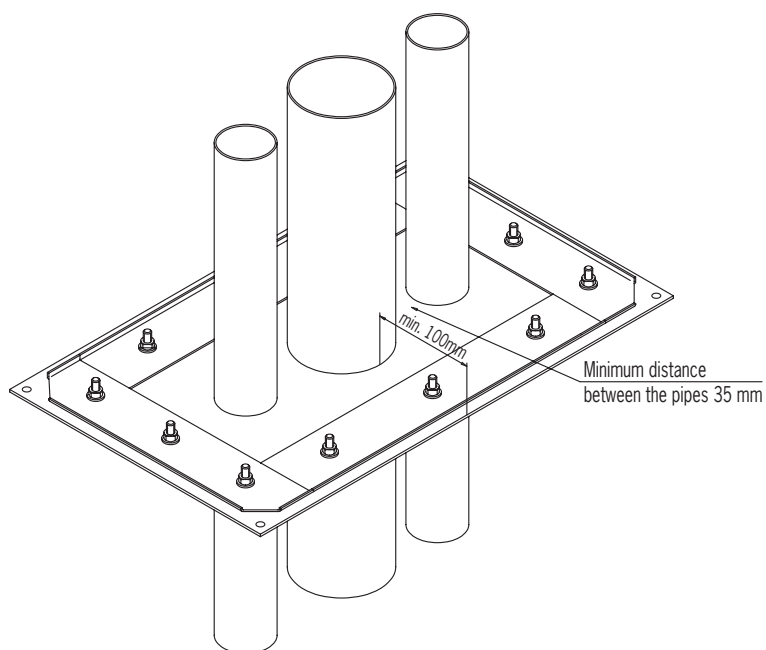
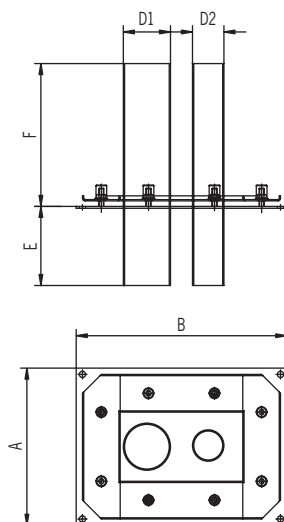
|                           |     |     |     |        |
|---------------------------|-----|-----|-----|--------|
| Basement slab penetration | 50  | 250 | 2,3 | 405351 |
|                           | 80  | 280 | 3,0 | 405352 |
|                           | 100 | 300 | 3,6 | 405353 |
|                           | 125 | 325 | 4,2 | 405354 |
|                           | 150 | 350 | 4,8 | 405355 |
|                           | 200 | 400 | 6   | 405356 |
|                           | 250 | 450 | 7,9 | 405357 |
|                           | 300 | 500 | 8,4 | 405358 |
|                           | 350 | 550 | 9,7 | 405359 |

**Other dimensions and material available on request.**

## Roof penetrations in stainless steel

Roof penetrations from high-quality stainless steel  
for fixing into ceiling with the pressure sealing flange  
Material AISI 304 or 316

All dimensions and material available on request.





**[www.aco.com](http://www.aco.com)**

**The ACO Group – a strong family you can trust.**

All reasonable care has been taken in compiling the information in this document. All recommendations and suggestions on the use of ACO products are made without guarantee since the conditions of use are beyond the control of the Company. It is the customer's responsibility to ensure that each product is fit for its intended purpose and that the actual conditions of use are suitable. This brochure and any advice is provided free of charge and accordingly on terms that no liability (including liability for negligence) will attach to the Company or its servants or agents arising out of or in connection with or in relation to this brochure or any such advice. Any goods supplied by the Company will be supplied solely upon its standard conditions of sale, copies of which are available on request. The Company's policy of continuous product development and improvement renders specifications liable to modification. Information provided in this brochure is therefore subject to change without prior notification.