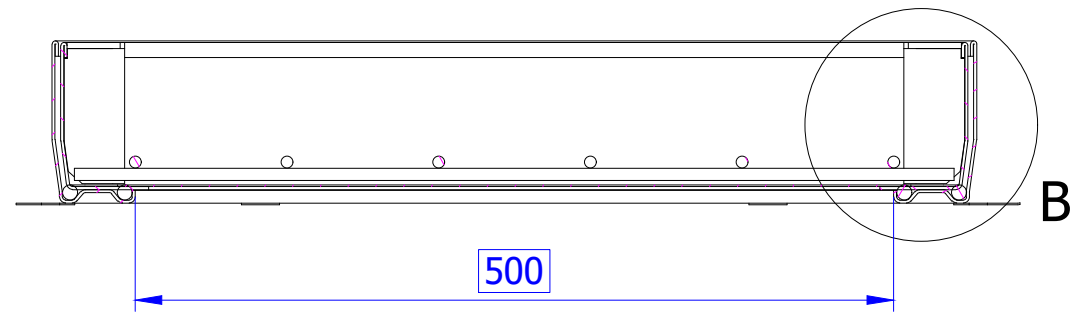


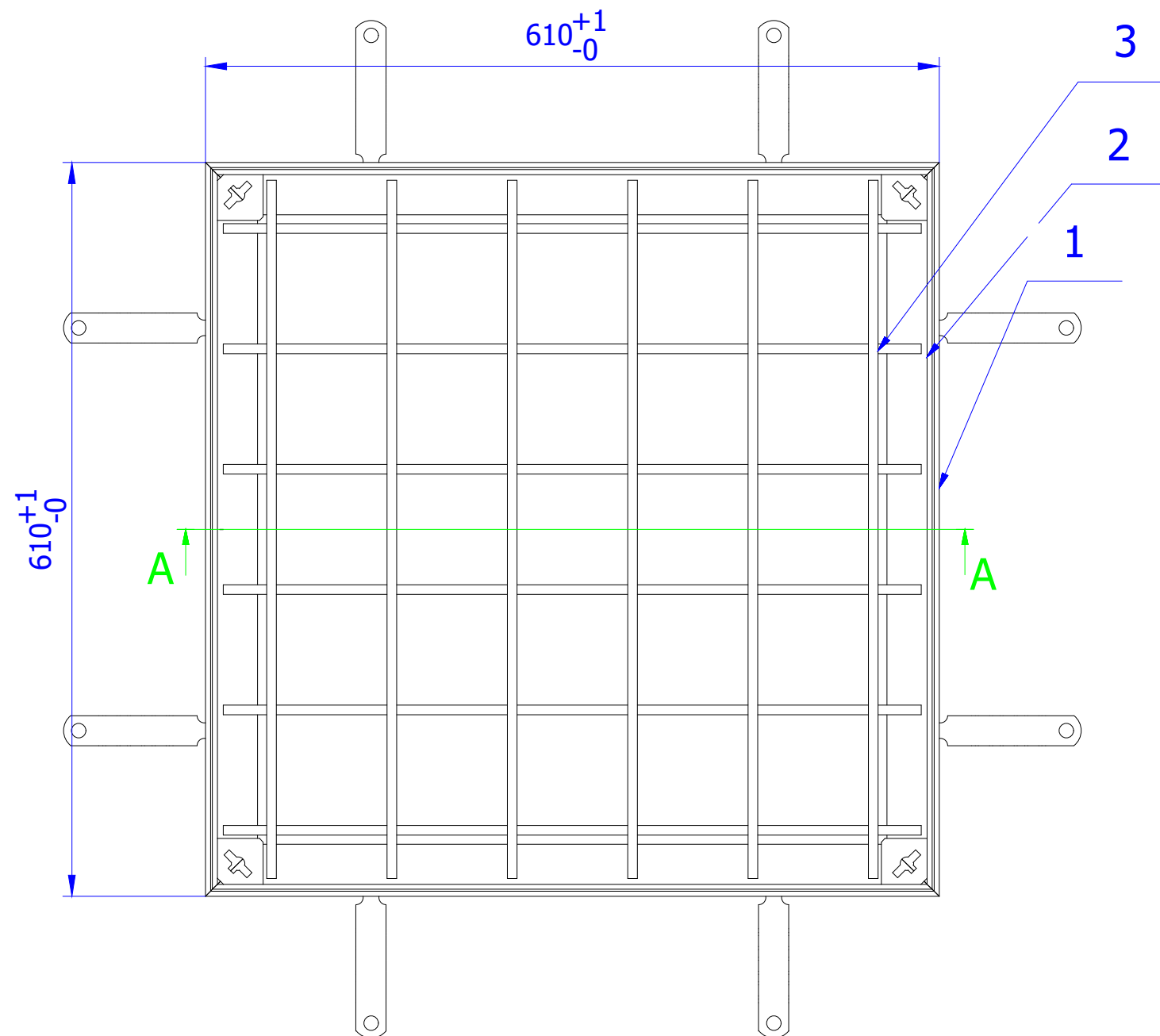
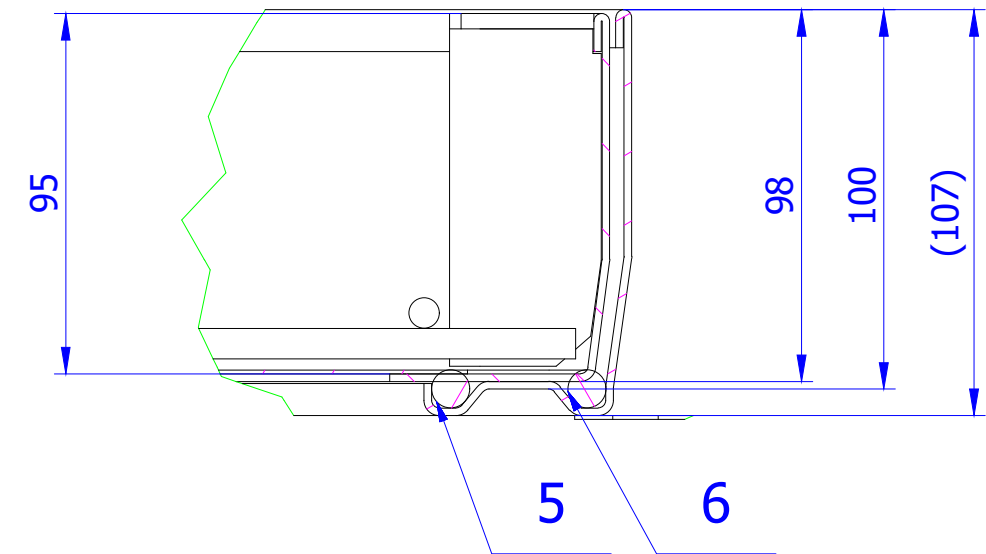
Revision history

REV	COMMENTS	DATE	AUTHOR
001	From czech to english naming	28.2.2020	jvenc

A-A (1 : 5)





B (1 : 2)



PARTS LIST

ITEM	QTY	DESCRIPTION	MASS	ARTICLE	MATERIAL
1	1	Frame Uniface deep 500x500 H95	6,69 kg	E61922	
2	1	Cover lid Uniface deep 500x500x95	8,85 kg	E61902	
3	1	Reinforcing net D8 580x580	2,78 kg	NM5266	1.0037
4	1	Bag with accessories		447812	
5	1	Internal gasket 500 L2040 mm	0,2 kg	NM10733	EPDM
6	1	External gasket 500 L=2330	0,23 kg	NM10735	EPDM
7	4	Plastic cover strip for AAC		NM16786	

Material	Tolerance	Tolerance for welding	Mass
	ISO 2768 - 1m - 2L	EN ISO 13920 - A	N/A
 ACO Industries k.s. Havlíčkova 260 582 22 Příbyslav, CZ Tel.: +420 569 491 111 www.aco.com www.aco-industries.cz	Drawing NO.	Index	Article
	445854	001	445854
Created by	Reviewed by	Surface finish	
dsobotka		Žár. zink./Hot-dip galv.	
Title		Projection ISO-E	Scale
ACO Access Cover UNIFACE Deep 500x500x95			

The reproduction, distribution and utilization of this document as well as the communication of its contents to others without express authorization is prohibited. Offenders will be held liable for the payment of damages. All rights reserved in the event of the grant of a patent, utility model or design. Observe copyright by ISO 16016		Created date	Release date	Sheet
		12.12.2016		1 / 1
			A3	