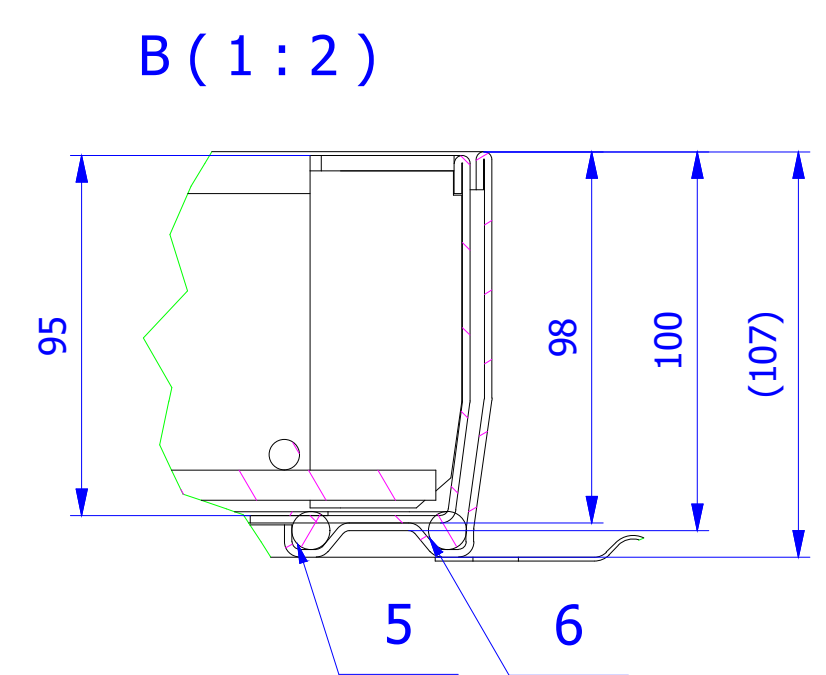




Revision history			
REV	COMMENTS	DATE	AUTHOR
001	From czech to english naming	28.2.2020	jvenc



PARTS LIST					
ITEM	QTY	DESCRIPTION	MASS	ARTICLE	MATERIAL
1	1	Frame Uniface deep 600x600 H95	7,8 kg	E61933	
2	1	Cover lid Uniface deep 600x600x95	10,8 kg	E61913	
3	1	Reinforcing net D8 680x680	3,8 kg	NM5267	1.0037
4	1	Bag with accessories		447812	
5	1	Internal gasket 600 L2440 mm	0,25 kg	NM10736	EPDM
6	1	External gasket 600 L=2730	0,27 kg	NM10737	EPDM
7	4	Plastic cover strip for AAC		NM16878	

Material	Tolerance	Tolerance for welding	Mass
	ISO 2768 - 1m - 2L	EN ISO 13920 - A	N/A
 ACO Industries k.s. Havlíčkova 260 582 22 Píbyšlav; CZ Tel.: +420 569 491 111 www.aco.com www.aco-industries.cz	Drawing NO.	Index	Article
	445859	001	445859
	Created by	Reviewed by	
	dsobotka		
Title		Projection ISO-E	Scale
ACO Access Cover UNIFACE Deep 600x600x95			
The reproduction, distribution and utilization of this document as well as the communication of its contents to others without express authorization is prohibited. Offenders will be held liable for the payment of damages. All rights reserved in the event of the grant of a patent, utility model or design. Observe copyright by ISO 16016		Created date	Release date
		12.12.2016	
			A3

Sheet
1 / 1