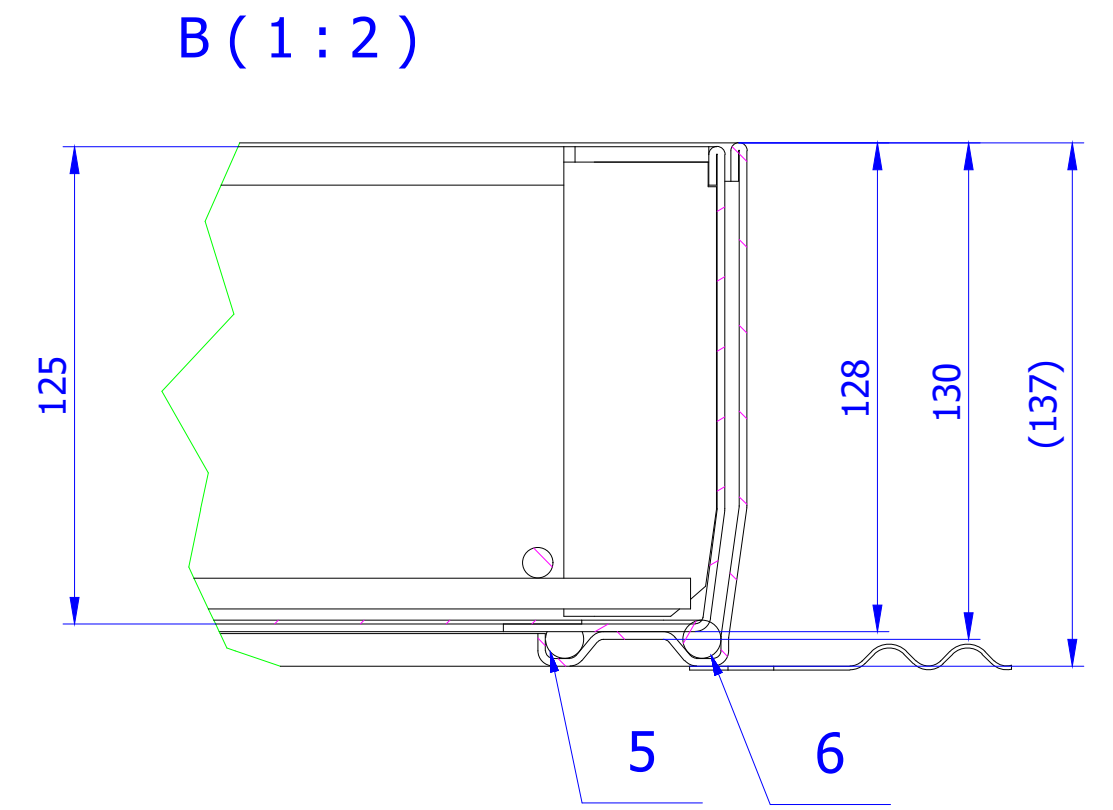



Revision history			
REV	COMMENTS	DATE	AUTHOR
001	From czech to english naming	28.2.2020	jvenc



PARTS LIST					
ITEM	QTY	DESCRIPTION	MASS	ARTICLE	MATERIAL
1	1	Frame Uniface deep 500x500 H125	7,85 kg	E62095	
2	1	Cover lid assembly Uniface deep 500x500x125	10,26 kg	E62059	
3	1	Reinforcing net D8 580x580	2,78 kg	NM5266	1.0037
4	1	Bag for accessories		447812	
5	1	Internal gasket 500 L2040 mm	0,2 kg	NM10733	EPDM
6	1	External gasket 500 L=2330	0,23 kg	NM10735	EPDM
7	4	Plastic cover strip for AAC		NM16786	

Material	Tolerance ISO 2768 - 1m - 2L	Tolerance for welding EN ISO 13920 - A	Mass N/A
 ACO Industries k.s. Havlíčkova 260 582 22 Píbyšlav, CZ Tel.: +420 569 491 111 www.aco.com www.aco-industries.cz	Drawing NO. 445894	Index 001	Article 445894
	Created by dsobotka	Reviewed by	Surface finish Bez PÚ./Without surf. fin.
Title ACO Access Cover UNIFACE Deep 500x500x125		Projection ISO-E	Scale

The reproduction, distribution and utilization of this document as well as the communication of its contents to others without express authorization is prohibited. Offenders will be held liable for the payment of damages. All rights reserved in the event of the grant of a patent, utility model or design. Observe copyright by ISO 15016		Created date 12.12.2016	Release date	Sheet 1 / 1
			A3	