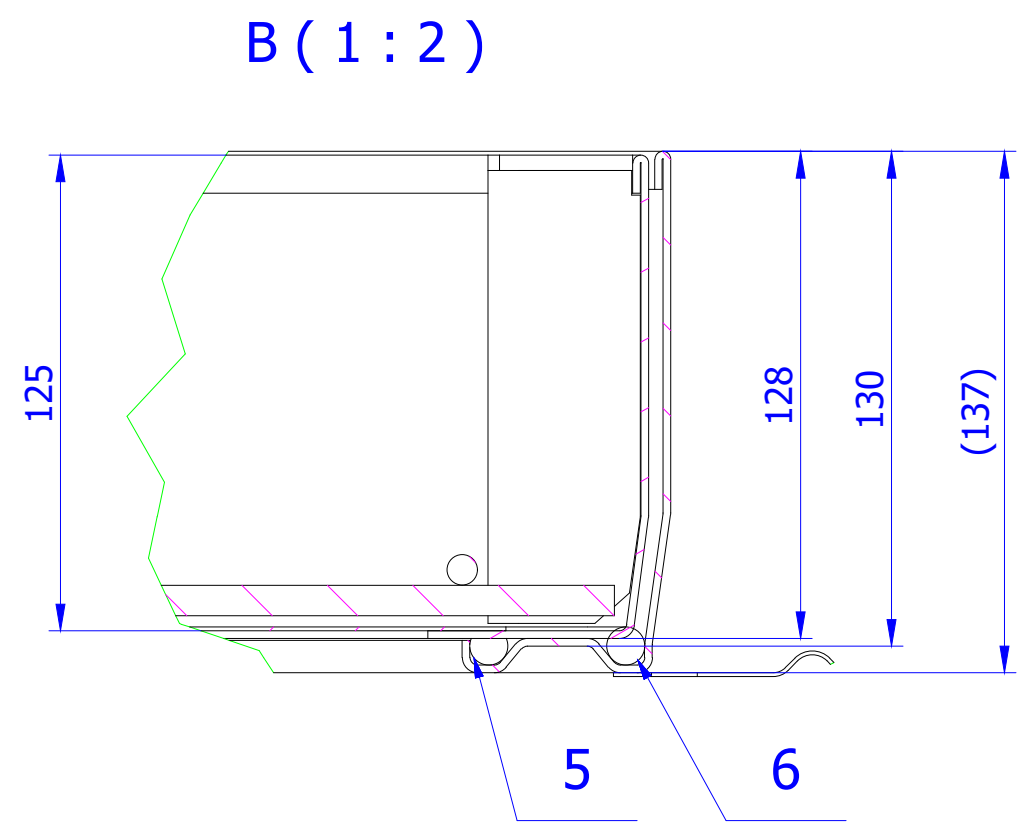



Revision history			
REV	COMMENTS	DATE	AUTHOR
001	From czech to english naming	28.2.2020	jvenc



PARTS LIST					
ITEM	QTY	DESCRIPTION	MASS	ARTICLE	MATERIAL
1	1	Frame Uniface deep 600x600 H125	9,15 kg	E62106	
2	1	Cover lid assembly Uniface deep 600x600x125	12,41 kg	E62070	
3	1	Reinforcing net D8 680x680	3,8 kg	NM5267	1.0037
4	1	Bag for accessories		447812	
5	1	Internal gasket 600 L2440 mm	0,25 kg	NM10736	EPDM
6	1	External gasket 600 L=2730	0,27 kg	NM10737	EPDM
7	4	Plastic cover strip for AAC		NM16878	

Material	Tolerance ISO 2768 - 1m - 2L	Tolerance for welding EN ISO 13920 - A	Mass N/A
 ACO Industries k.s. Havlíčkova 260 582 22 Přebyslav, CZ Tel.: +420 569 491 111 www.aco.com www.aco-industries.cz	Drawing NO. 445899	Index 001	Article 445899
	Created by dsobotka	Reviewed by	Surface finish Bez PÚ./Without surf. fin.
Title ACO Access Cover UNIFACE Deep 600x600x125		Projection ISO-E	Scale

The reproduction, distribution and utilization of this document as well as the communication of its contents to others without express authorization is prohibited. Offenders will be held liable for the payment of damages. All rights reserved in the event of the grant of a patent, utility model or design. Observe copyright by ISO 15016		Created date 12.12.2016	Release date	Sheet 1 / 1
			A3	